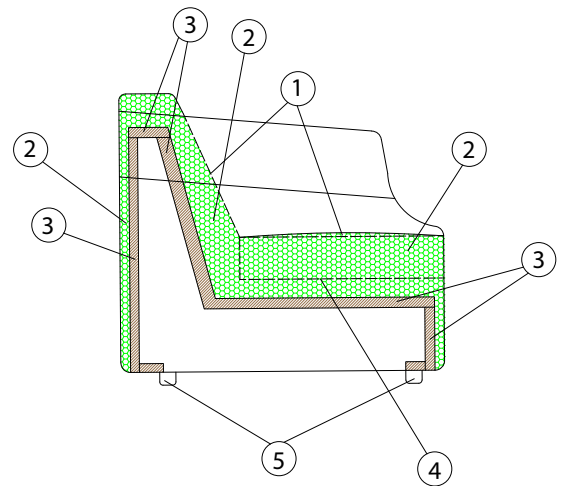


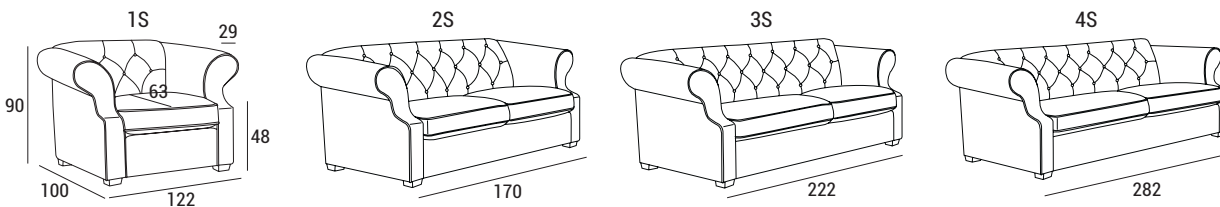
BENJAMIN



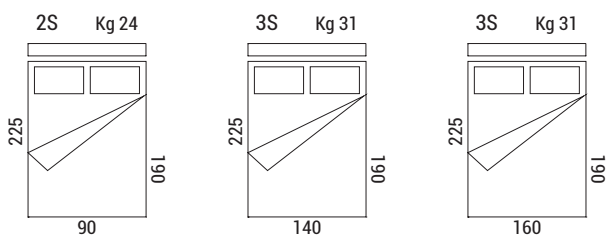
- 1 - dacron® fiber 100 gr;
- 2 - high resiliency polyurethane foam of different densities;
- 3 - structural frame in composite wood;
- 4 - elastic webbing;
- 5 - feet in stained beechwood.



DIMENSIONS:



EXTRA BED:



Fire retardant or standard polyurethane mattress, with two-fold mechanism, h 12 cm, covered with antiallergic polyester lining. High-resistance steel electrowelded mechanism.

BENJAMIN

MECHANISM BED SOFA:

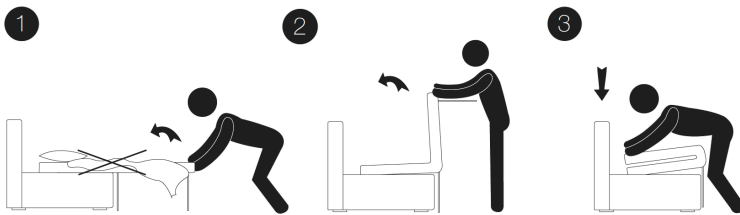
Opening



REMOVE
cable ties on the sides before
lifting the sleeping deck

Opening folding the bed
incorrectly could damage
the mechanism

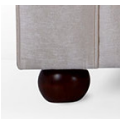
Closing



REMOVE
all sheet, blankets and pillows
before folding the sofa back
up to avoid breaking the
mechanism

FEET:

P 12 h 6

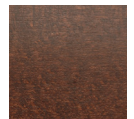


WOODEN FEET FINISHINGS:

walnut

cherry

wengè



TECHNICAL DETAILS:

Removable cover: NO	kg	m ³	mts
BENJAMIN 1S	41	1.03	10.00
BENJAMIN 2S	61	1.52	12.00
BENJAMIN 3S	71	1.97	14.00
BENJAMIN 4S	81	2.53	17.00

PHOTO GALLERY:



Benjamin 1S



Benjamin 3 seater sofa

