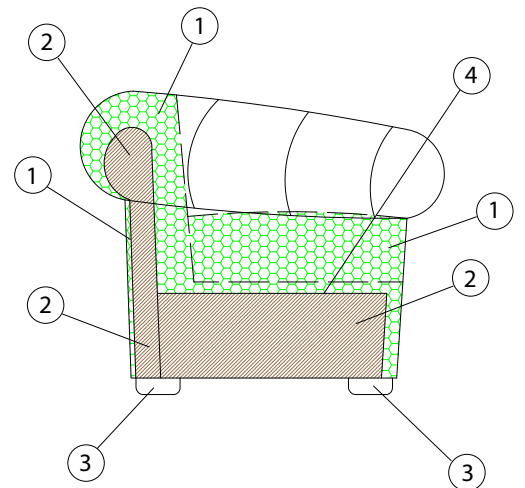




- 1 - high resilience foamed polyurethane;
- 2 - structural frame in plywood,
non- structural parts in composite wood;
- 3 - stained massive wood feet;
- 4 - elastic webbing.



DIMENSIONS:

