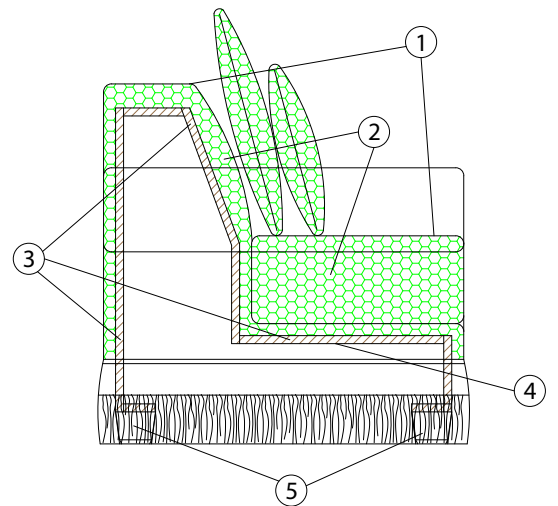
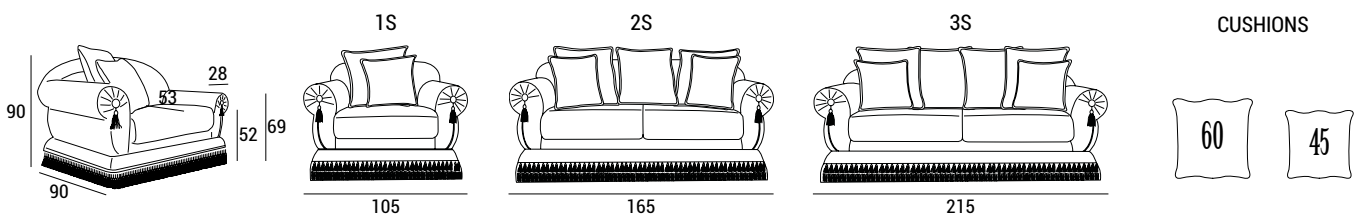


PRINCE

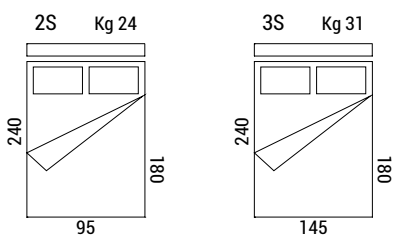


- 1 - dacron® fiber 100 gr;
- 2 - high resiliency polyurethane foam of different densities;
- 3 - structural frame in composite wood;
- 4 - elastic webbing;
- 5 - feet in ABS.

DIMENSIONS:



EXTRA BED:

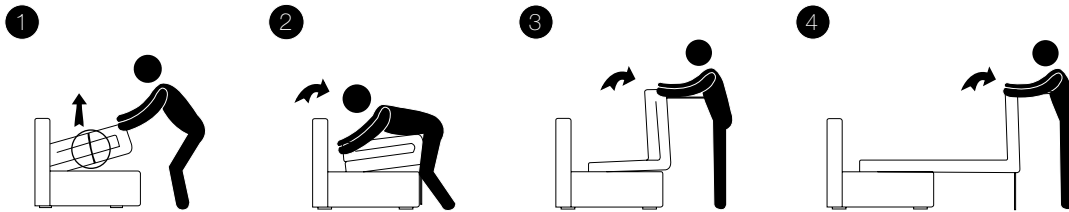


Fire retardant or standard polyurethane mattress, with three-fold mechanism, h 8 cm, covered with antiallergic polyester lining. High-resistance steel electrowelded mechanism

PRINCE

MECHANISM BED SOFA:

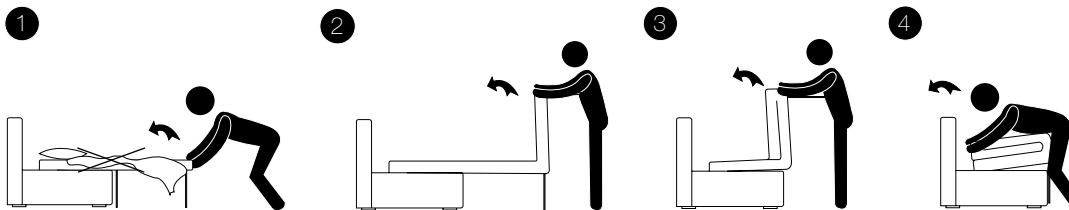
Opening



REMOVE cable ties on the sides before lifting the sleeping deck

Opening folding the bed incorrectly could damage the mechanism

Closing



REMOVE all sheet, blankets and pillows before folding the sofa back up to avoid breaking the mechanism

MATCHING TRIMMINGS:

FANCY STANDARD



FANCY 1 OPTIONAL



FANCY 2 OPTIONAL



FANCY 3 OPTIONAL



PRINCE

FANCY 4 OPTIONAL



TECHNICAL DETAILS:

Removable cover: AVAILABLE
UPON REQUESTED

kg

m³

mts

PRINCE 1S

40

0.85

SOT DOWN 3.50/SOP UP 2.00

PRINCE 2S

61

1.34

SOT DOWN 5.50/SOP UP 3.50

PRINCE 3S

68

1.74

SOT DOWN 6.50/SOP UP 5.30