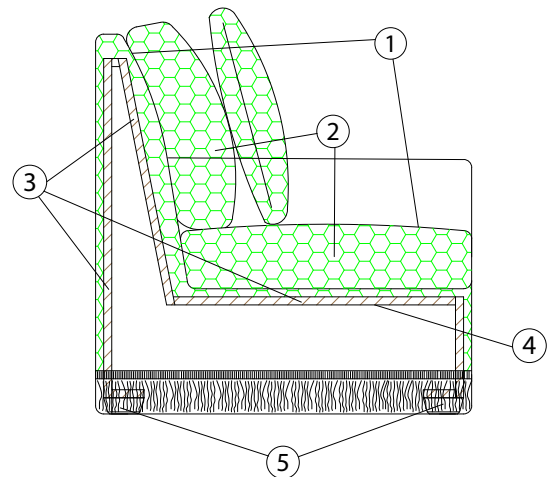
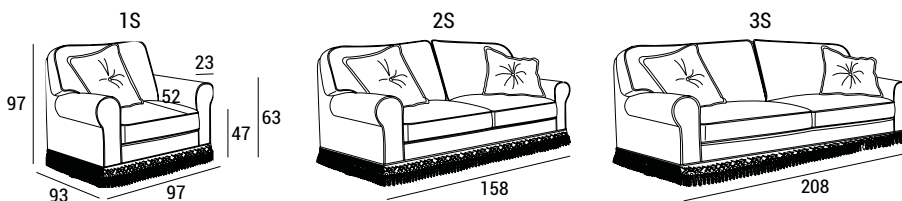




- 1 - dacron® fiber 100 gr;
- 2 - high resiliency polyurethane foam of different densities;
- 3 - structural frame in composite wood;
- 4 - elastic webbing;
- 5 - wooden feet.



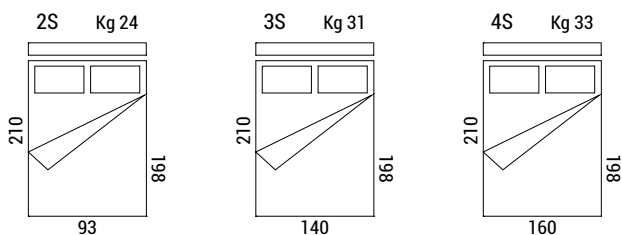
DIMENSIONS:



CUSHIONS



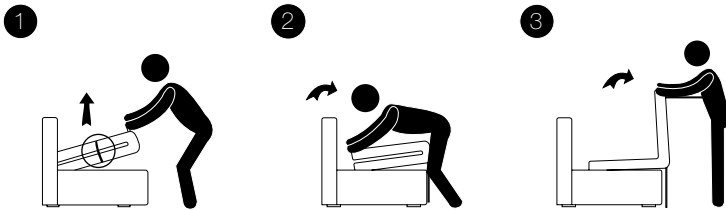
EXTRA BED:



Fire retardant or standard polyurethane mattress, with two-fold mechanism, h 12 cm, covered with antiallergic polyester lining. High-resistance steel electrowelded mechanism

MECHANISM BED SOFA:

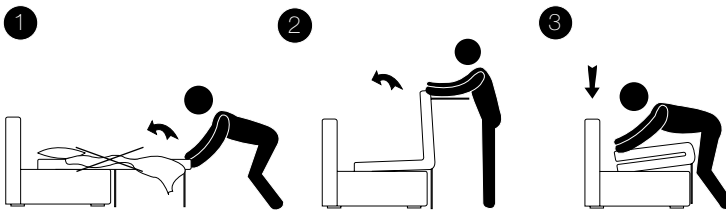
Opening



REMOVE
cable ties on the sides before
lifting the sleeping deck

Opening folding the bed
incorrectly could damage
the mechanism

Closing

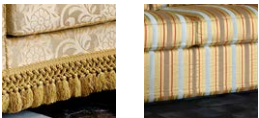


REMOVE
all sheet, blankets and pillows
before folding the sofa back up
to avoid breaking the
mechanism

ENEA VERSIONS:

fringe

flounce



MATCHING TRIMMINGS:

FANCY STANDARD



FANCY 1 OPTIONAL



FANCY 2 OPTIONAL



FANCY 3 OPTIONAL



FANCY 4 OPTIONAL



TECHNICAL DETAILS:

Removable cover: AVAILABLE
UPON REQUESTED

	kg	m ³	mts
ENEА 1S	32	0.87	SOT DOWN 3.50/SOP UP 3.70
ENEА 2S	44	1.42	SOT DOWN 6.30/SOP UP 5.00
ENEА 3S	53	1.88	SOT DOWN 7.00/SOP UP 5.40