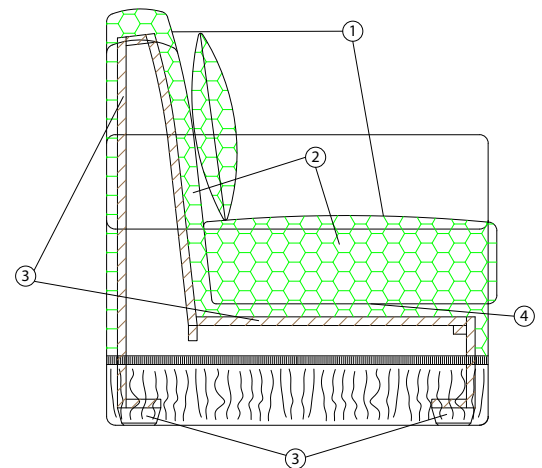


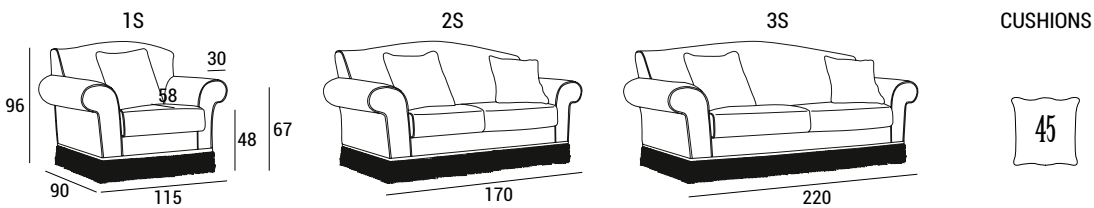
# AMBROGIO



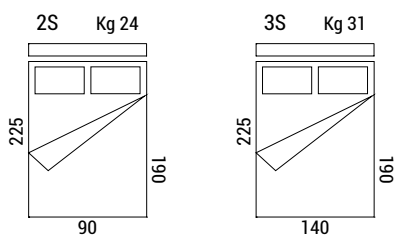
- 1 - dacron® fiber 100 gr;
- 2 - high resiliency polyurethane foam of different densities;
- 3 - structural frame in composite wood;
- 4 - elastic webbing;
- 5 - wooden feet.



## DIMENSIONS:



## EXTRA BED:



Fire retardant or standard polyurethane mattress, with two-fold mechanism, h 12 cm, covered with antiallergic polyester lining. High-resistance steel electrowelded mechanism

# AMBROGIO

## MECHANISM BED SOFA:

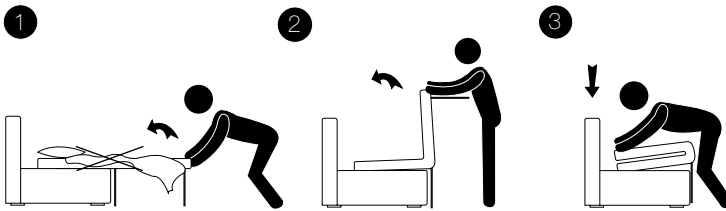
### Opening



REMOVE  
cable ties on the sides before  
lifting the sleeping deck

Opening folding the bed  
incorrectly could damage  
the mechanism

### Closing



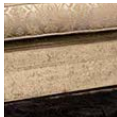
REMOVE  
all sheet, blankets and pillows  
before folding the sofa back up  
to avoid breaking the  
mechanism

## AMBROGIO VERSIONS:

fringe



flounce



## MATCHING TRIMMINGS:

FANCY STANDARD



FANCY 1 OPTIONAL



FANCY 2 OPTIONAL



FANCY 3 OPTIONAL



# AMBROGIO

FANCY 4 OPTIONAL



## TECHNICAL DETAILS:

Removable cover: PARTIALLY	kg	m <sup>3</sup>	mts
AMBROGIO FRINGE 1S	35	1.00	SOT DOWN 2.40/SOP UP 3.90
AMBROGIO FRINGE 2S	48	1.47	SOT DOWN 3.30/SOP UP 4.70
AMBROGIO FRINGE 3S	57	1.90	SOT DOWN 3.60/SOP UP 5.80
AMBROGIO FLOUNCE 1S	35	1.00	SOT DOWN 2.50/SOP UP 3.90
AMBROGIO FLOUNCE 2S	48	1.47	SOT DOWN 3.40/SOP UP 4.70
AMBROGIO FLOUNCE 3S	57	1.90	SOT DOWN 3.70/SOP UP 5.80